

ALUMINUM  
COMPOSITE  
PANEL

SHIM AS REQUIRED  
DONE BY OTHERS

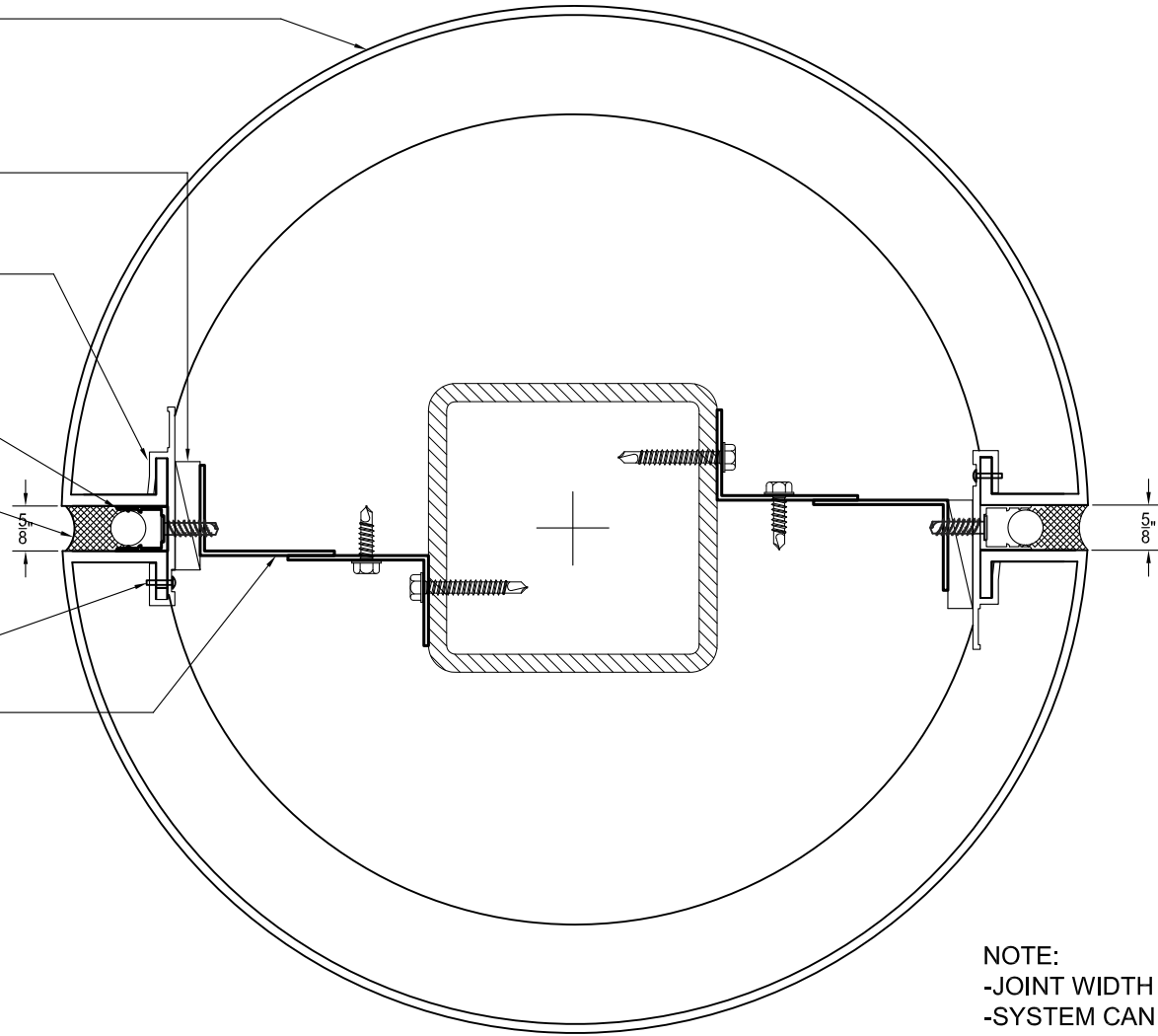
"ESTOLGA"  
ATTACHMENT  
SYSTEM  
(EAM #5801)

CHANNEL

CAULKING WITH  
BACKER ROD

RIVET/SCREW

GALVANIZED STEEL  
SUBGIRTS



**NOTE:**

- JOINT WIDTH IS ADJUSTABLE
- SYSTEM CAN BE USED WITH 4MM OR 6MM ALUMINUM COMPOSITE MATERIAL FOR EXTERIOR APPLICATION AND 3MM OR 4MM ALUMINUM COMPOSITE MATERIAL FOR INTERIOR APPLICATION

ASTM 283, 330 & 331

NAME:

COLUMN COVER

# ALLIED METAL

DRAWINGS:

ESTOLGA 3000 Wet Seal System

NO.	DATE	REVISIONS	BY

DATE:  
12/08/2008

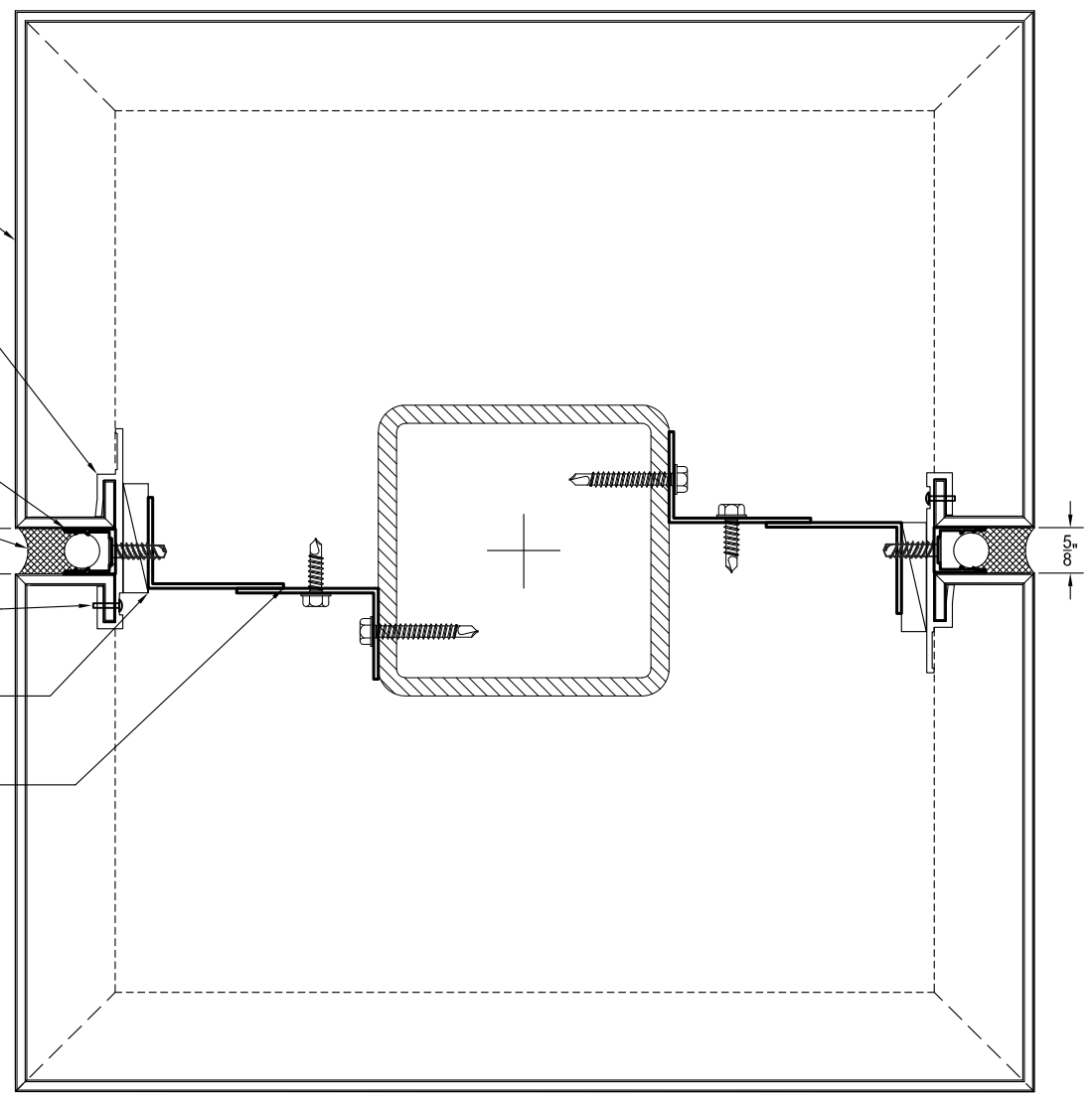
DRAWN BY:  
XXXXX

SCALE:  
NTS

CHECKED BY:  
XXXXX

## AM-2

- ALUMINUM COMPOSITE PANEL
- "ESTOLGA" ATTACHMENT SYSTEM (EAM #5801)
- CHANNEL
- CAULKING WITH BACKER ROD
- RIVET/SCREW AS REQUIRED
- SHIM AS REQUIRED DONE BY OTHERS
- GALVANIZED STEEL SUBGIRTS DONE BY OTHERS



NOTE:  
 -JOINT WIDTH IS ADJUSTABLE  
 -SYSTEM CAN BE USED WITH 4MM OR 6MM ALUMINUM COMPOSITE MATERIAL FOR EXTERIOR APPLICATION AND 3MM OR 4MM ALUMINUM COMPOSITE MATERIAL FOR INTERIOR APPLICATION

ASTM 283, 330 & 331

NAME:  SQUARE COLUMN COVER	ALLIED METAL				DRAWINGS: ESTOLGA 3000 Wet Seal System		AM-3
	NO.	DATE	REVISIONS	BY	DATE:	DRAWN BY:	
					12/08/2008	XXXXX	
					SCALE: NTS	CHECKED BY: XXXXX	

ALUMINUM  
COMPOSITE  
PANEL

"ESTOLGA"  
ATTACHMENT  
SYSTEM  
(EAM #5801)

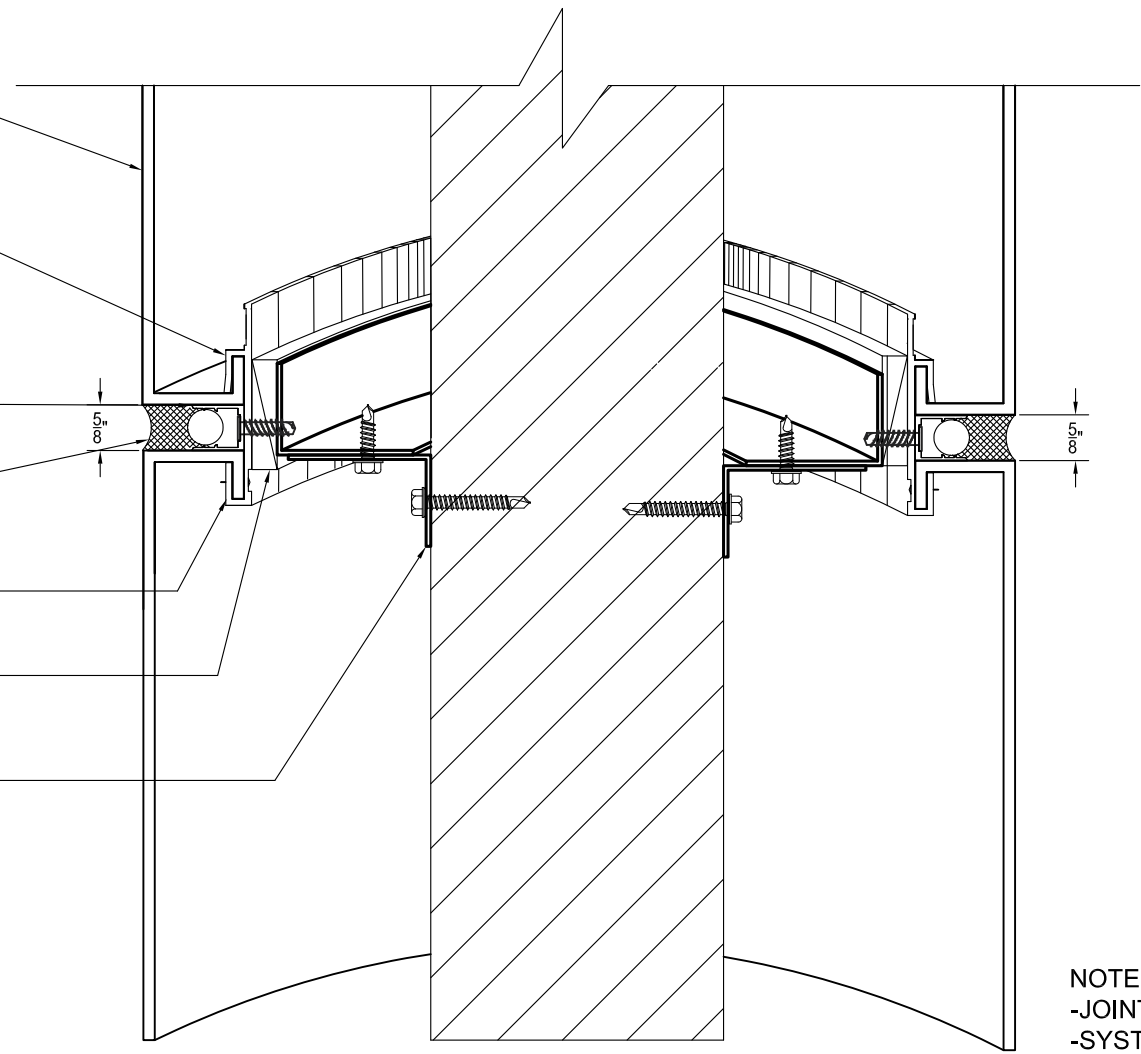
CHANNEL

CAULKING WITH  
BACKER ROD

RIVET/SCREW  
AS REQUIRED

SHIM AS REQUIRED  
DONE BY OTHERS

GALVANIZED STEEL  
SUBGIRTS  
DONE BY OTHERS



**NOTE:**  
 -JOINT WIDTH IS ADJUSTABLE  
 -SYSTEM CAN BE USED WITH 4MM OR 6MM ALUMINUM COMPOSITE MATERIAL FOR EXTERIOR APPLICATION AND 3MM OR 4MM ALUMINUM COMPOSITE MATERIAL FOR INTERIOR APPLICATION

ASTM 283, 330 & 331

NAME:  COLUMN COVER	ALLIED METAL				DRAWINGS: ESTOLGA 3000 Wet Seal System		AM-1
	NO.	DATE	REVISIONS	BY	DATE: 12/08/2008	DRAWN BY: XXXXX	
					SCALE: NTS	CHECKED BY: XXXXX	