

**"ESTOLGA" COLUMN COVERS - ROUND**

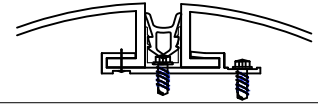
Company Name: \_\_\_\_\_  
 Contact Name: \_\_\_\_\_  
 Phone Number: \_\_\_\_\_ Fax Number: \_\_\_\_\_  
 Project Name: \_\_\_\_\_

Date: \_\_\_\_\_

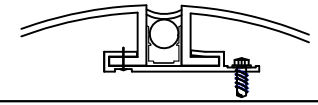
- Request for Quote  
 Purchase Order Form

**TYPE:**

1. DRY SEAL (SILICONE SNAP-IN GASKET)



2. WET SEAL (BACKER ROD WITH CAULKING)



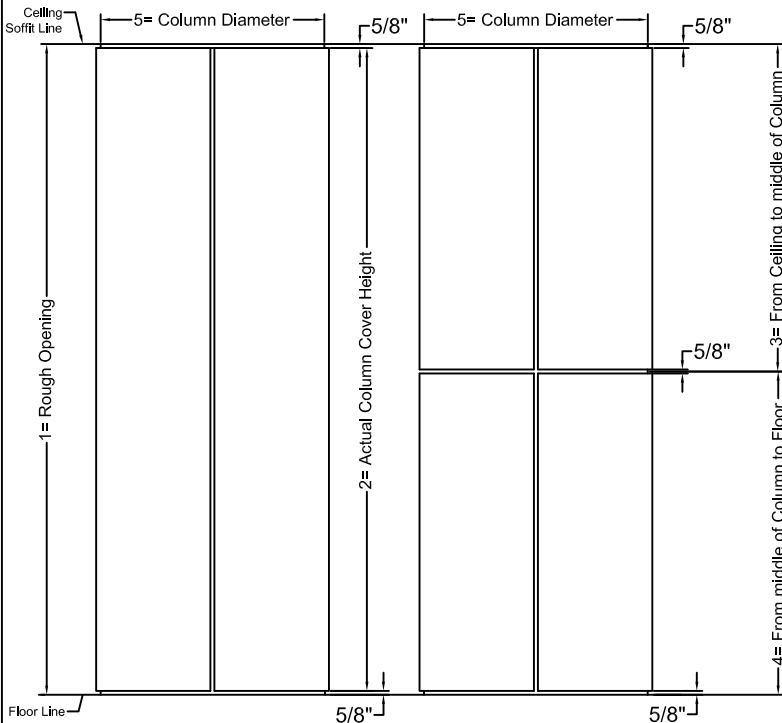
X= Denotes line items must be completed to produce a quotation

N/A Not applicable

TYPE A	TYPE B	COLUMN COVER OPTION	COLUMN COVER #1	COLUMN COVER #2	COLUMN COVER #3	COLUMN COVER #4	COLUMN COVER #5
X	X	Type 1 or 2					
X	X	Quantity					
X	X	Dimension "1" (Rough Opening)					
X	X	Dimension "2" (Actual Column Cover Height)					
N/A	X	Dimension "3" (Actual Column Cover Height)					
N/A	X	Dimension "4" (Actual Column Cover Height)					
X	X	Dimension "5" (Actual Column Diameter)					
X	X	Configuration H=Halves T=Thirds Q=Quarters					
X	X	CLICK ON SPECIFIC VENDOR TO SEE COLOR CARD					
		<input type="checkbox"/> - A ALUCOBOND <input type="checkbox"/> - AL ALPOLIC <input type="checkbox"/> - R REYNOBOND <input type="checkbox"/> - C CITADEL					

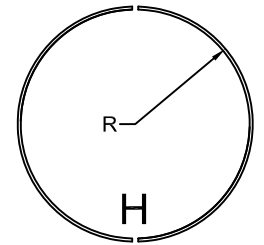
TYPE A

TYPE B

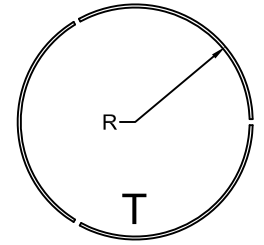


**CONFIGURATION:**

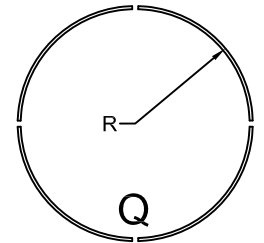
H=HALVES



T=THIRDS



Q=QUARTERS

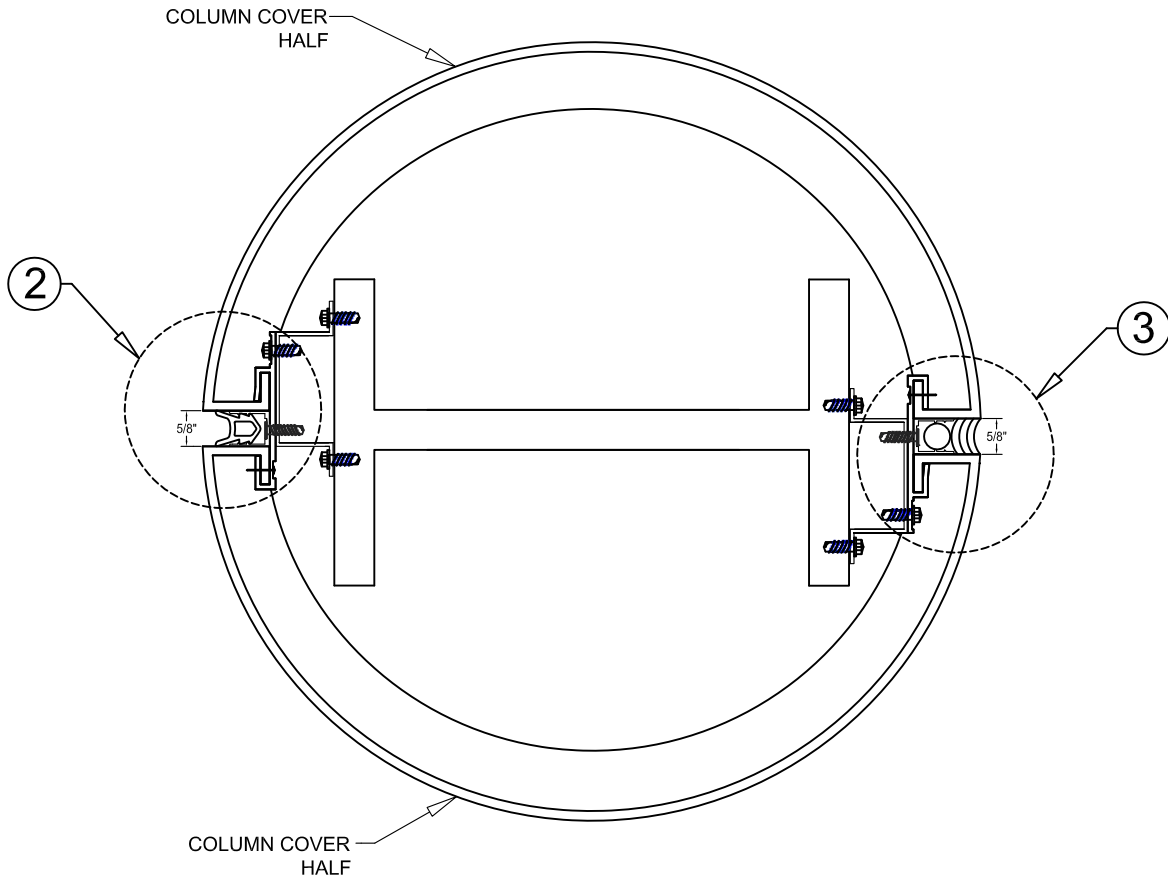


1

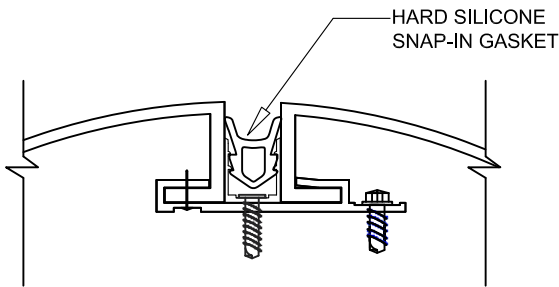
SCALE: NTS

REVISION: AUGUST 08

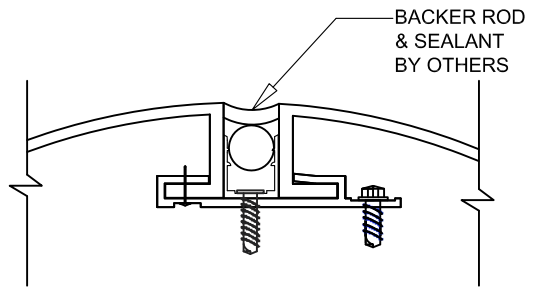
## "ESTOLGA" COLUMN COVERS - ROUND



### 1 COLUMN COVER SECTION



### 2 VERTICAL JOIN DETAIL DRY SEAL



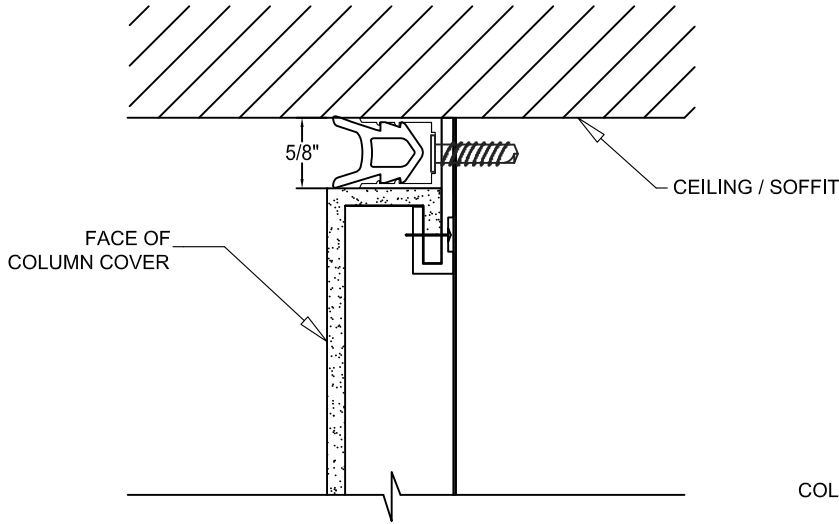
### 3 VERTICAL JOIN DETAIL WET SEAL

2

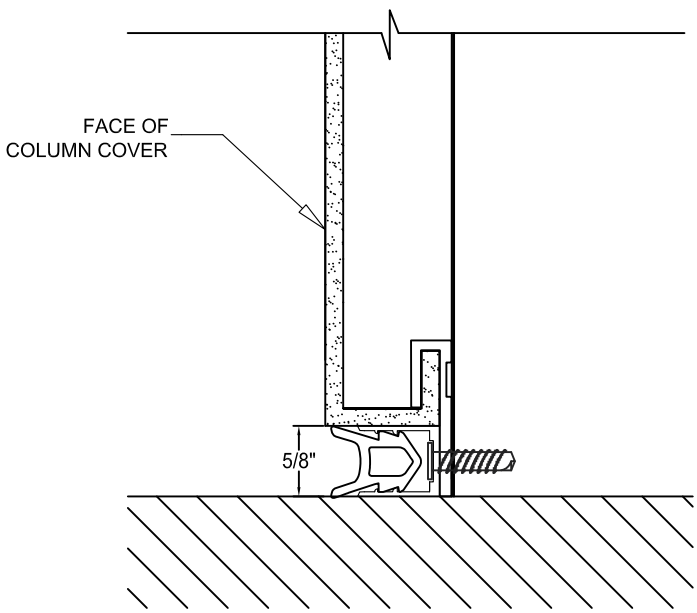
SCALE: NTS

REVISION: AUGUST 08

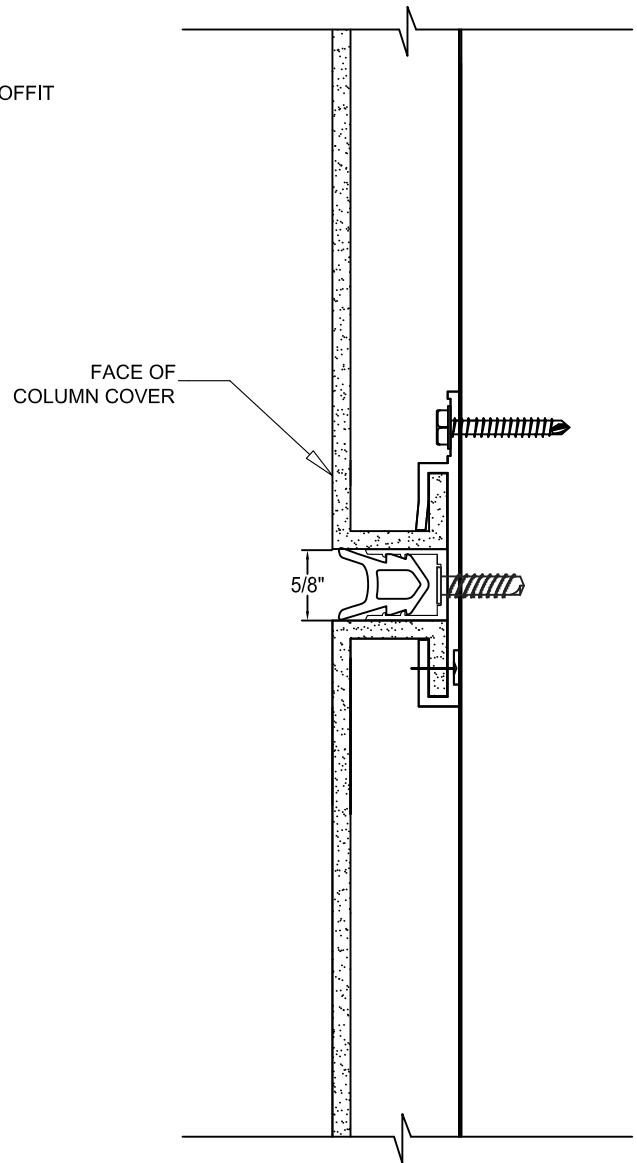
## "ESTOLGA" COLUMN COVERS - ROUND



④ CEILING / SOFFIT DETAIL



⑤ BASE DETAIL



⑥ TYPICAL HORIZONTAL DETAIL