

QUOTE REQUEST ORDER FORM

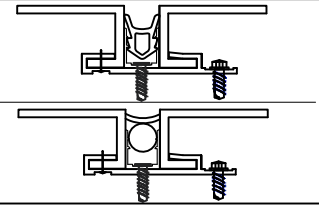
"ESTOLGA" COLUMN COVERS - SQUARE

Company Name: _____
 Contact Name: _____
 Phone Number: _____ Fax Number: _____
 Project Name: _____

Date: _____

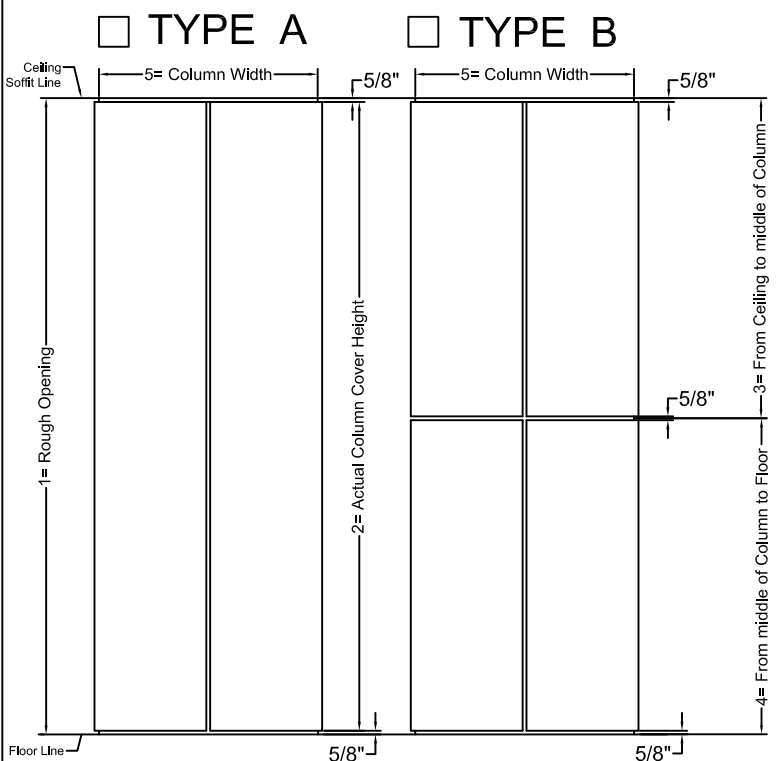
- Request for Quote
 Purchase Order Form

- TYPE:
1. DRY SEAL (SILICONE SNAP-IN GASKET)
2. WET SEAL (BACKER ROD WITH CAULKING)

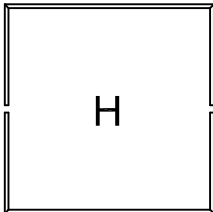
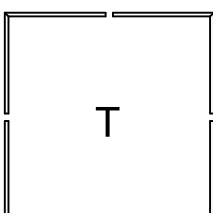
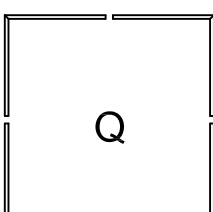


X= Denotes line items must be completed to produce a quotation N/A Not applicable

TYPE A	TYPE B	COLUMN COVER OPTION	COLUMN COVER #1	COLUMN COVER #2	COLUMN COVER #3	COLUMN COVER #4	COLUMN COVER #5
X	X	Type 1 or 2					
X	X	Quantity					
X	X	Dimension "1" (Rough Opening)					
X	X	Dimension "2" (Actual Column Cover Height)					
N/A	X	Dimension "3" (Actual Column Cover Height)					
N/A	X	Dimension "4" (Actual Column Cover Height)					
X	X	Dimension "5" (Actual Column Width) Specify all four sides	1: 2: 3: 4:	1: 2: 3: 4:	1: 2: 3: 4:	1: 2: 3: 4:	1: 2: 3: 4:
X	X	Configuration H=Halves T=Thirds Q=Quarters					
X	X	CLICK ON SPECIFIC VENDOR TO SEE COLOR CARD <input type="checkbox"/> - A ALUCOBOND <input type="checkbox"/> - AL ALPOLIC <input type="checkbox"/> - R REYNOBOND <input type="checkbox"/> - C CITADEL					



CONFIGURATION:

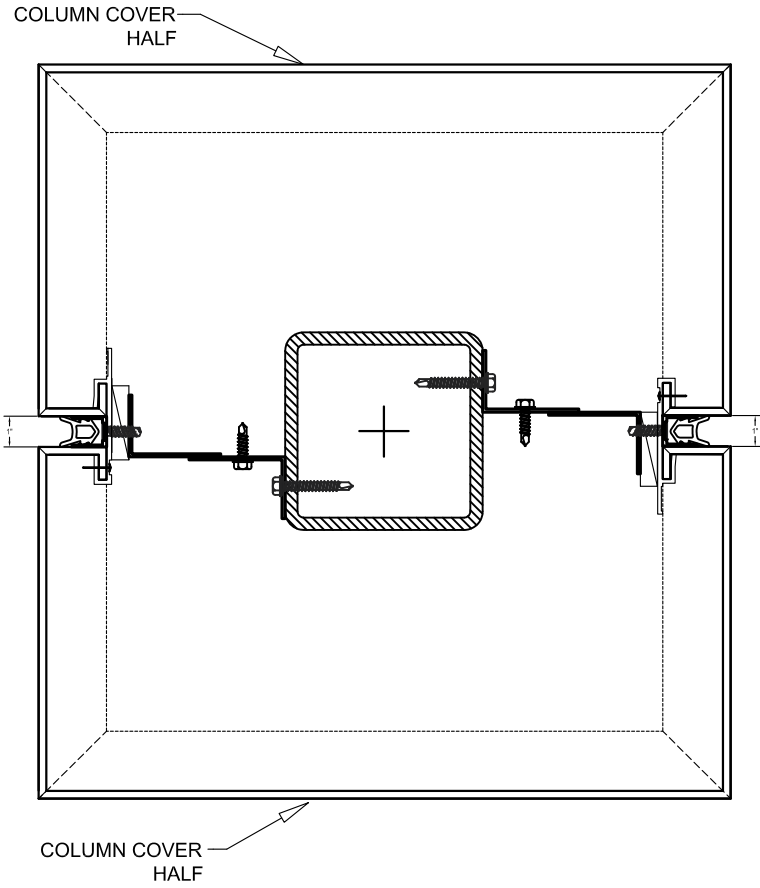
- H=HALVES 
- T=THIRDS 
- Q=QUARTERS 

1

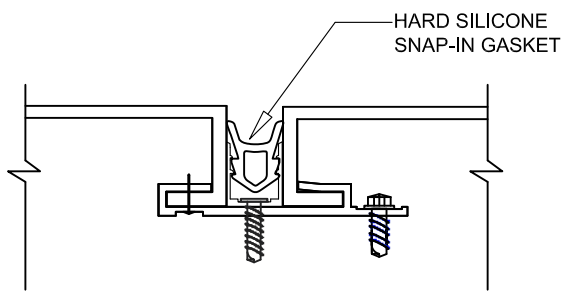
SCALE: NTS

REVISION: AUGUST 08

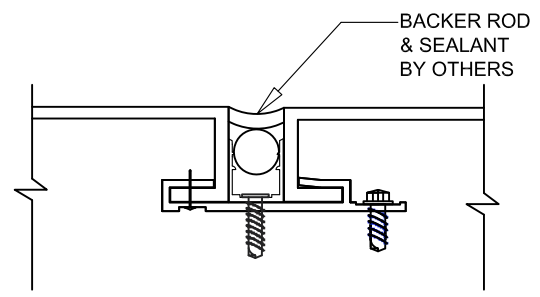
"ESTOLGA" COLUMN COVERS - SQUARE



① COLUMN COVER SECTION



② VERTICAL JOIN DETAIL DRY SEAL



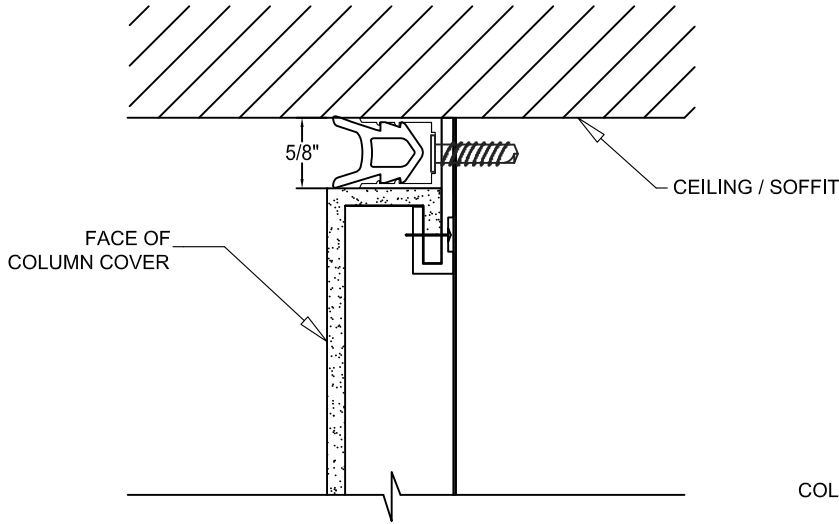
③ VERTICAL JOIN DETAIL WET SEAL

2

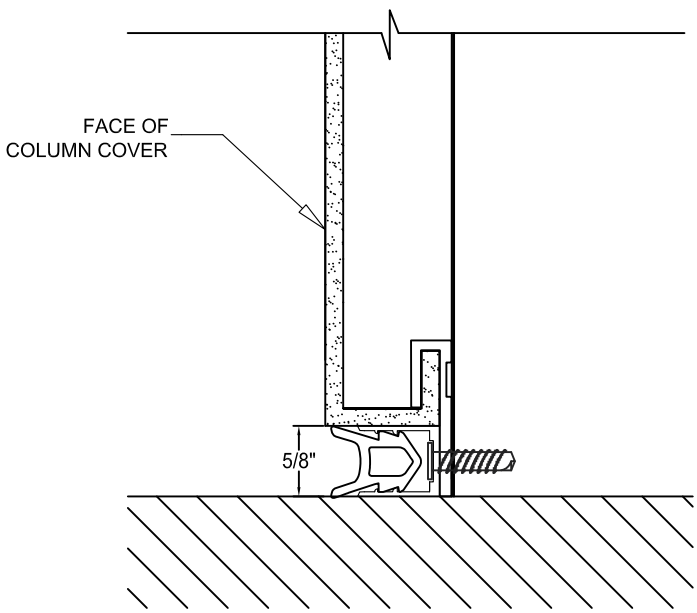
SCALE: NTS

REVISION: AUGUST 08

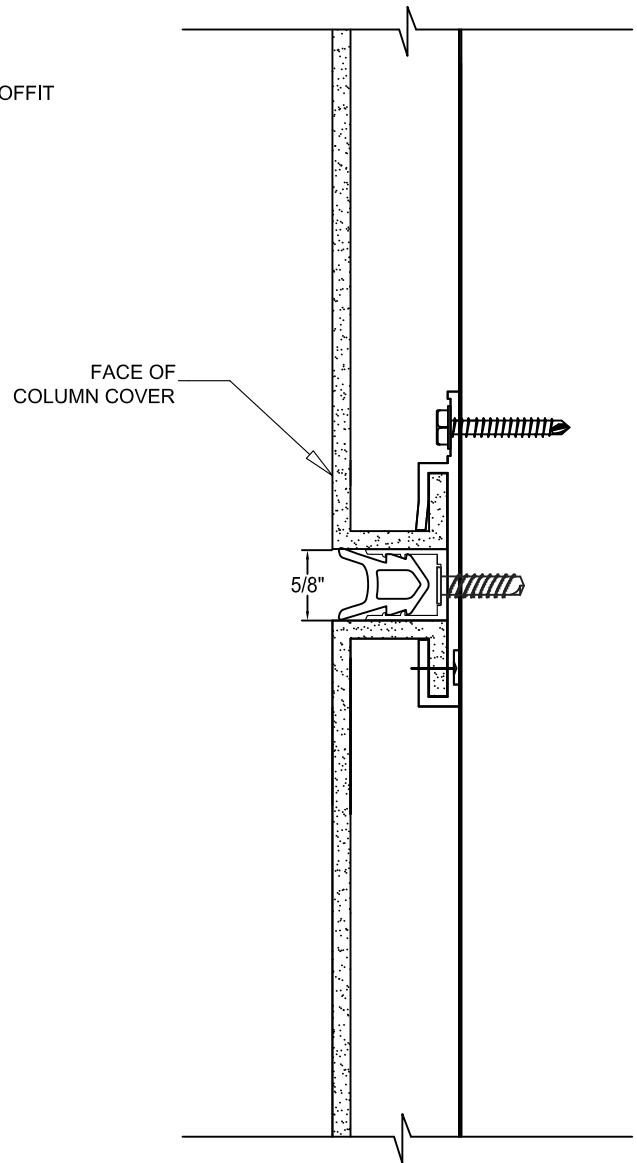
"ESTOLGA" COLUMN COVERS - ROUND



④ CEILING / SOFFIT DETAIL



⑤ BASE DETAIL



⑥ TYPICAL HORIZONTAL DETAIL