

- ALUMINUM COMPOSITE PANEL
- "ESTOLGA" ATTACHMENT SYSTEM (EAM #5801)
- CHANNEL
- HARD SILICONE SNAP-IN GASKET
- RIVET/SCREW AS REQUIRED
- SHIM AS REQUIRED DONE BY OTHERS
- GALVANIZED STEEL SUBGIRTS DONE BY OTHERS

ASTM 283, 330 & 331

NAME: **COLUMN COVER**

ALLIED METAL

DRAWINGS: **ESTOLGA 3000 Dry Seal System**

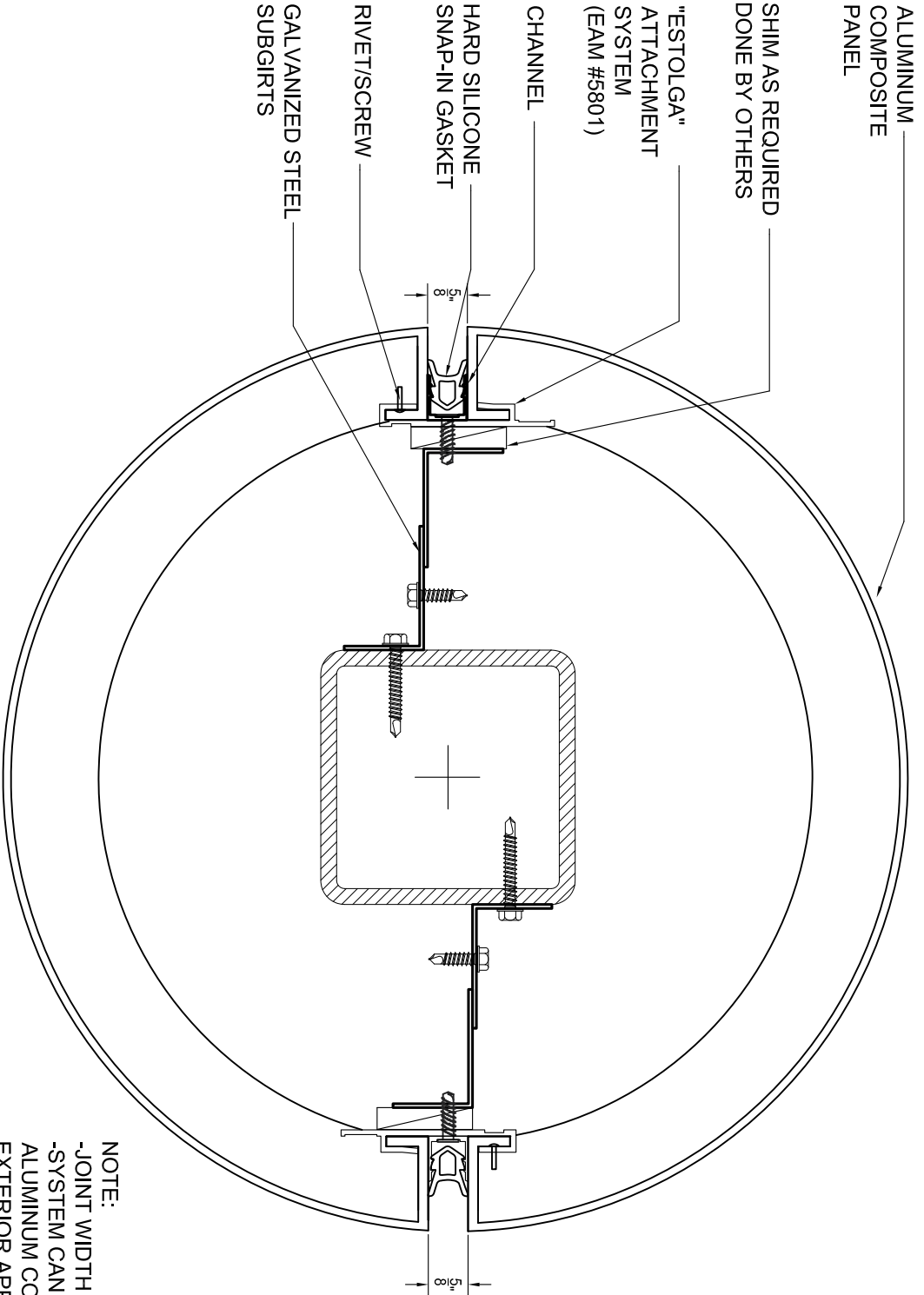
NO.	DATE	REVISIONS	BY

DATE:	12/08/2008
SCALE:	NTS

DRAWN BY: XXXXX
CHECKED BY: XXXXX

AM-1

NOTE:
-JOINT WIDTH IS ADJUSTABLE
-SYSTEM CAN BE USED WITH 4MM OR 6MM ALUMINUM COMPOSITE MATERIAL FOR EXTERIOR APPLICATION AND 3MM OR 4MM ALUMINUM COMPOSITE MATERIAL FOR INTERIOR APPLICATION



ALUMINUM
COMPOSITE
PANEL

SHIM AS REQUIRED
DONE BY OTHERS

"ESTOLGA"
ATTACHMENT
SYSTEM
(EAM #5801)

CHANNEL

HARD SILICONE
SNAP-IN GASKET

RIVET/SCREW

GALVANIZED STEEL
SUBGIRTS

ASTM 283, 330 & 331

NAME:

COLUMN COVER

ALLIED METAL

DRAWINGS:
ESTOLGA 3000 Dry Seal System

NO.	DATE	REVISIONS	BY

DATE:
12/08/2008

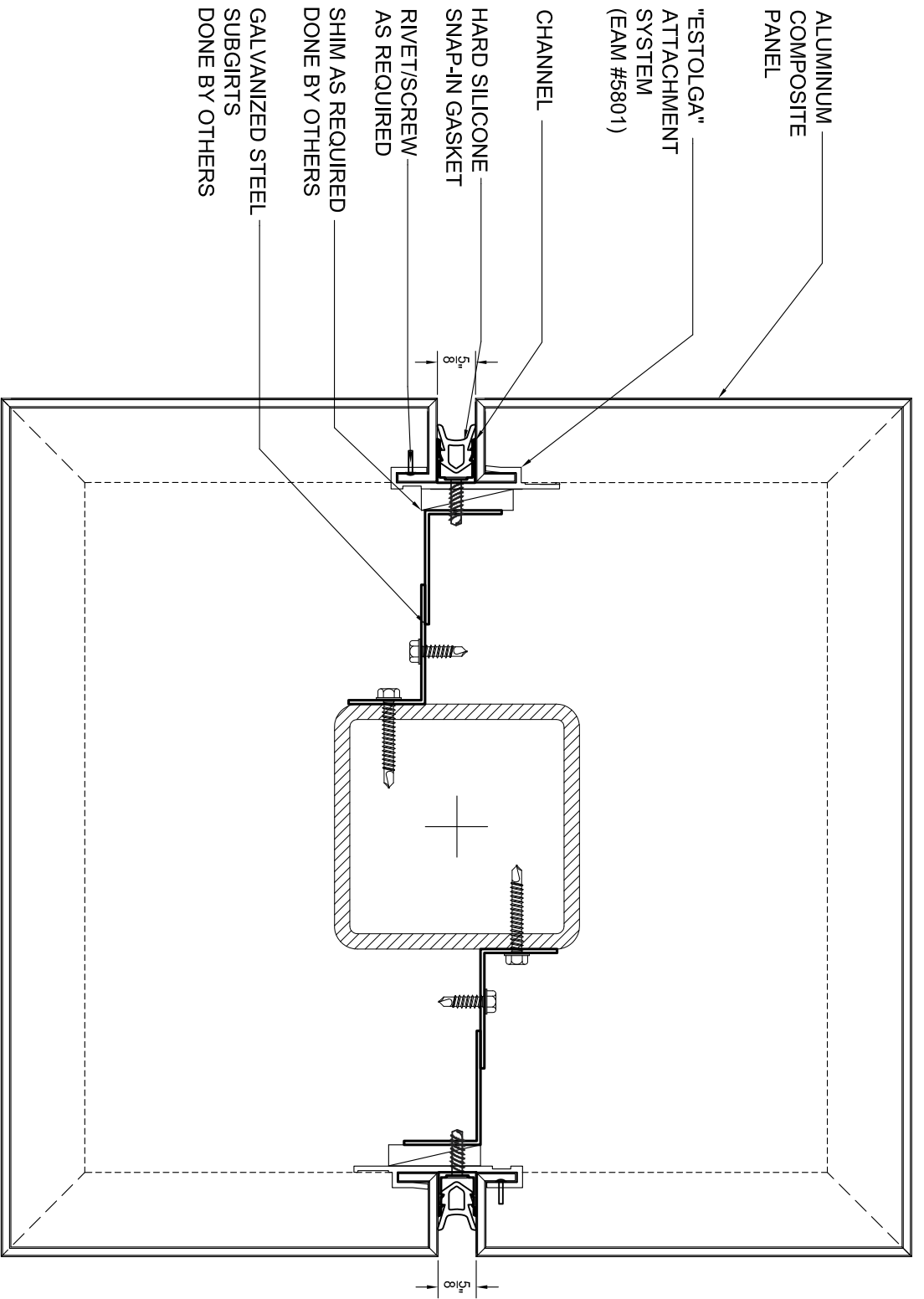
DRAWN BY:
XXXXXX

SCALE:
NTS

CHECKED BY:
XXXXXX

AM-2

NOTE:
-JOINT WIDTH IS ADJUSTABLE
-SYSTEM CAN BE USED WITH 4MM OR 6MM
ALUMINUM COMPOSITE MATERIAL FOR
EXTERIOR APPLICATION AND 3MM OR 4MM
ALUMINUM COMPOSITE MATERIAL FOR
INTERIOR APPLICATION



ASTM 283, 330 & 331

NAME:

SQUARE COLUMN COVER

ALLIED METAL

DRAWINGS: ESTOLGA 3000 Dry Seal System

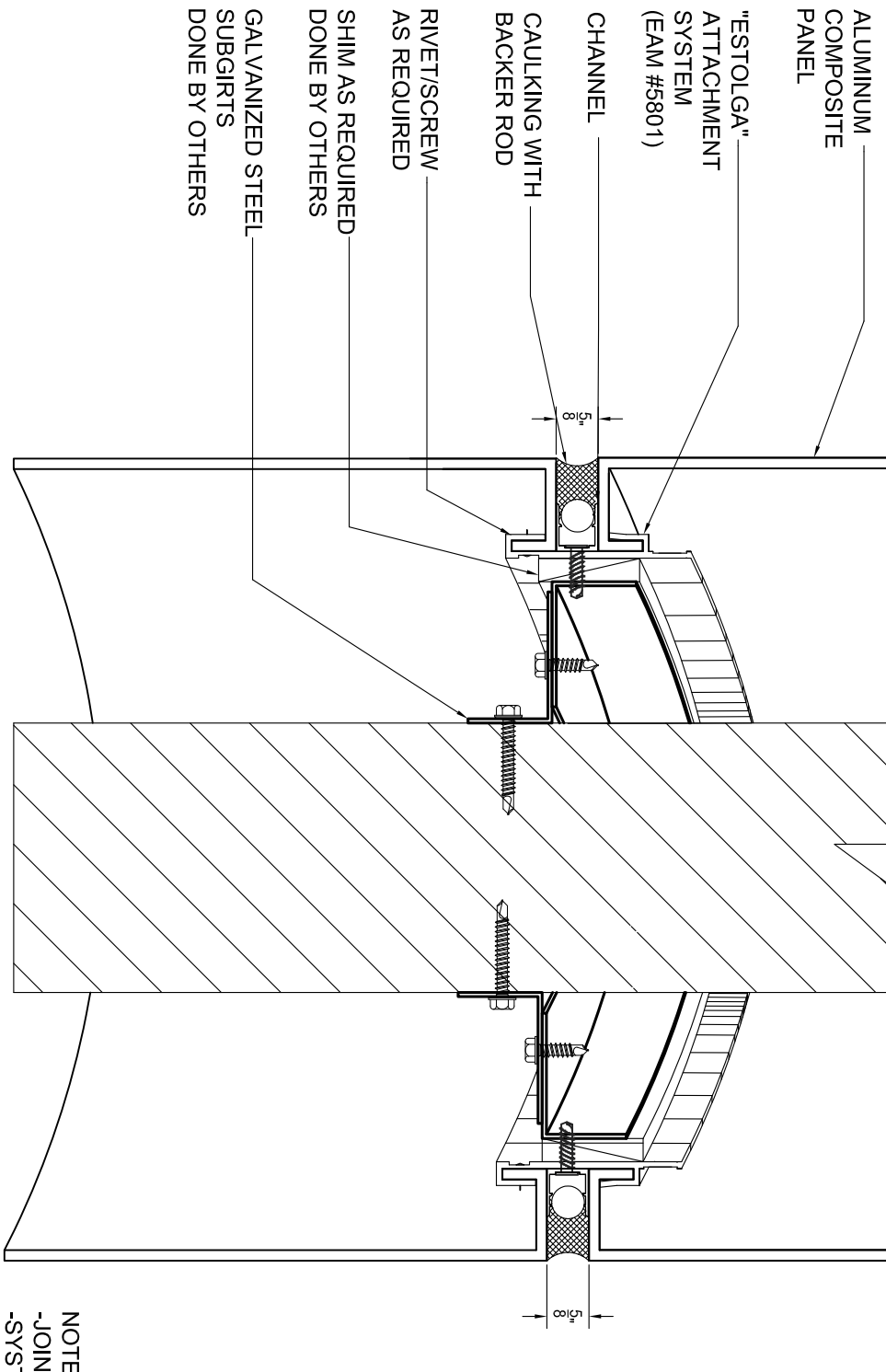
NO.	DATE	REVISIONS	BY

DATE: 12/08/2008
SCALE: NTS

DRAWN BY: XXXXX
CHECKED BY: XXXXX

AM-3

NOTE:
-JOINT WIDTH IS ADJUSTABLE
-SYSTEM CAN BE USED WITH 4MM OR 6MM ALUMINUM COMPOSITE MATERIAL FOR EXTERIOR APPLICATION AND 3MM OR 4MM ALUMINUM COMPOSITE MATERIAL FOR INTERIOR APPLICATION



- ALUMINUM COMPOSITE PANEL
- "ESTOLGA" ATTACHMENT SYSTEM (EAM #5801)
- CHANNEL
- CAULKING WITH BACKER ROD
- RIVET/SCREW AS REQUIRED
- SHIM AS REQUIRED DONE BY OTHERS
- GALVANIZED STEEL SUBGIRTS DONE BY OTHERS

ASTM 283, 330 & 331

NAME:

COLUMN COVER

ALLIED METAL

DRAWINGS: ESTOLGA 3000 Wet Seal System

NO.	DATE	REVISIONS	BY

DATE: 12/08/2008

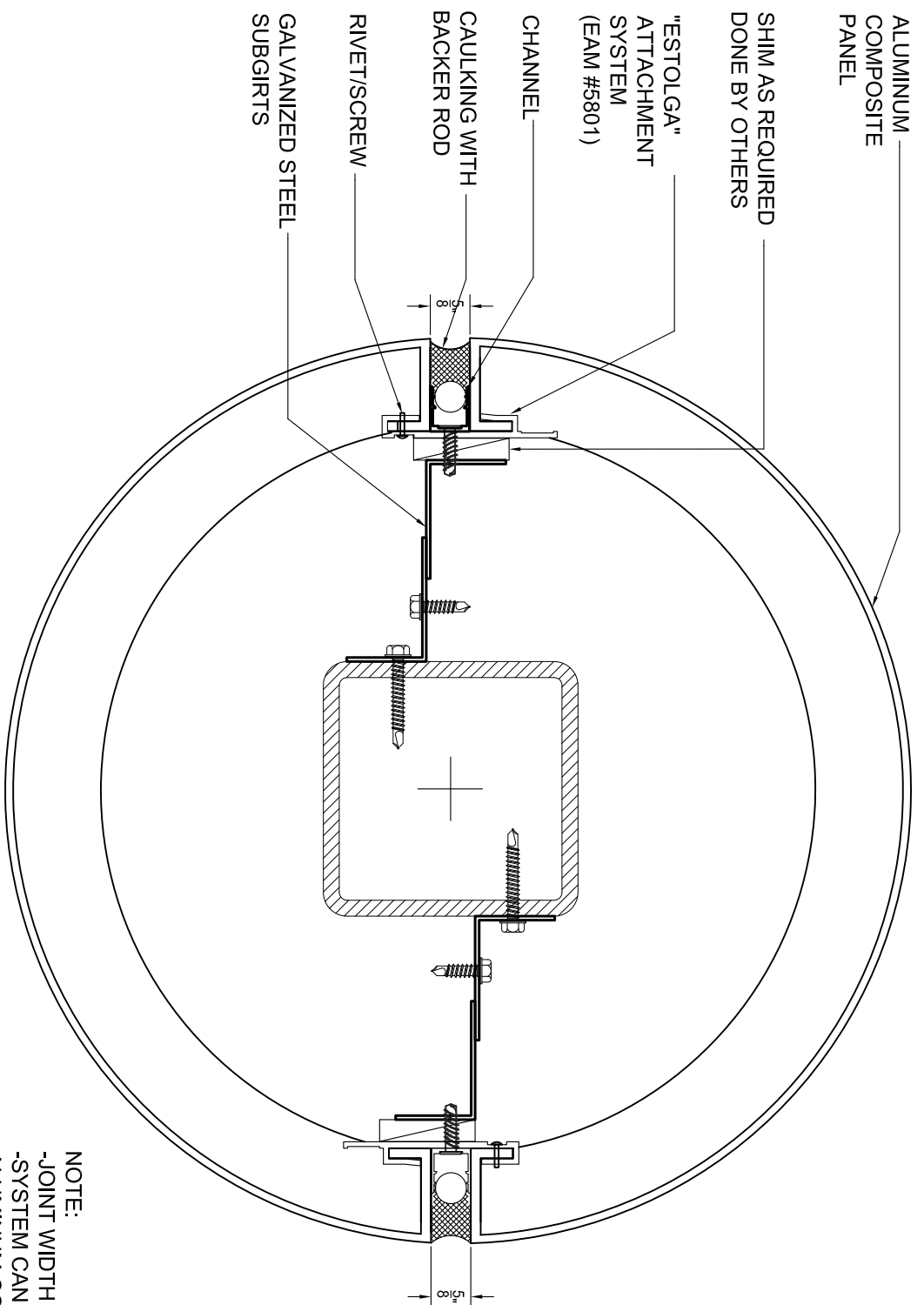
DRAWN BY: XXXXX

SCALE: NTS

CHECKED BY: XXXXX

AM-1

NOTE:
 -JOINT WIDTH IS ADJUSTABLE
 -SYSTEM CAN BE USED WITH 4MM OR 6MM ALUMINUM COMPOSITE MATERIAL FOR EXTERIOR APPLICATION AND 3MM OR 4MM ALUMINUM COMPOSITE MATERIAL FOR INTERIOR APPLICATION



ASTM 283, 330 & 331

NAME:

COLUMN COVER

ALLIED METAL

DRAWINGS: ESTOLGA 3000 Wet Seal System

NO.	DATE	REVISIONS	BY

DATE: 12/08/2008

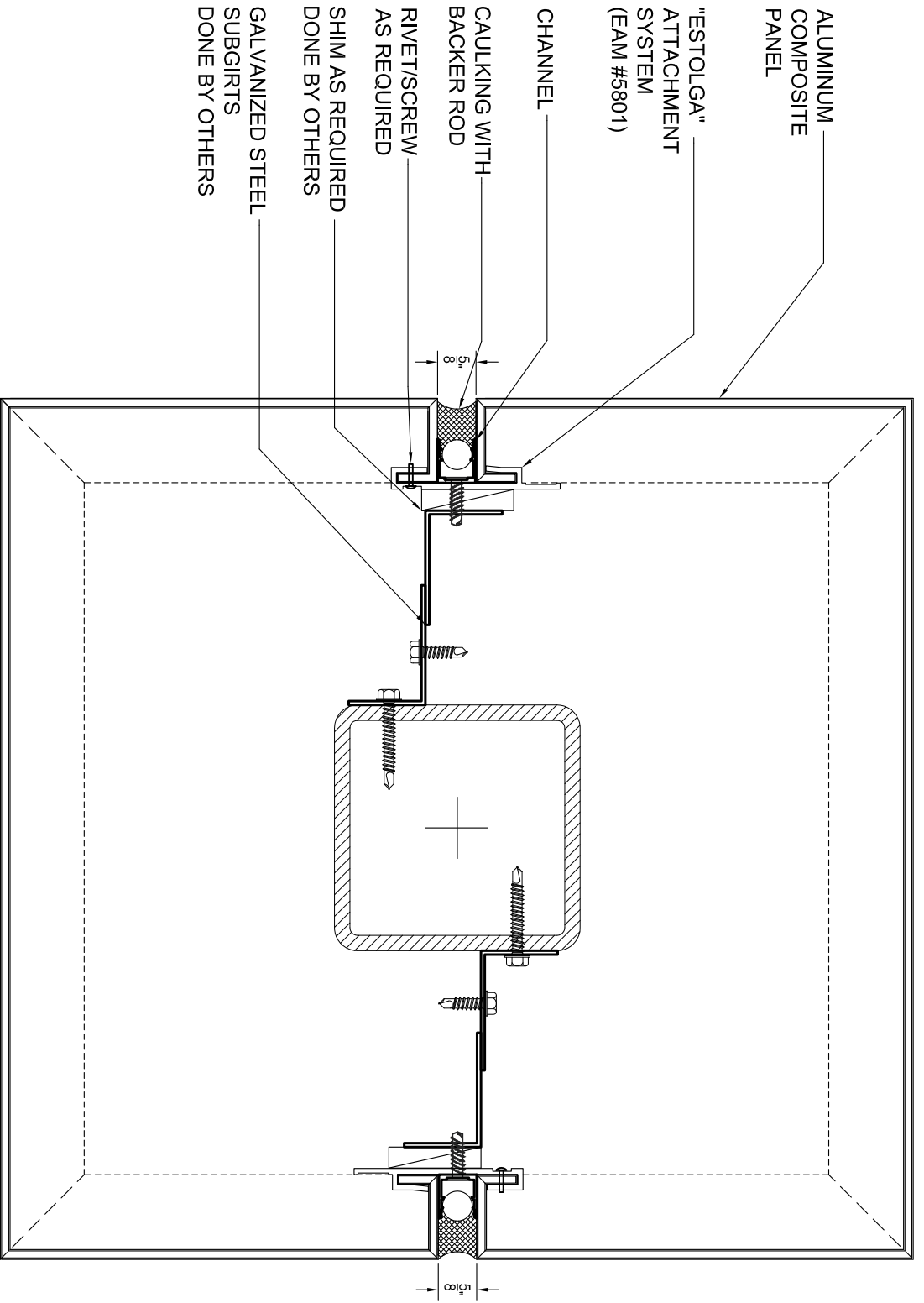
DRAWN BY: XXXXX

SCALE: NTS

CHECKED BY: XXXXX

AM-2

NOTE:
 -JOINT WIDTH IS ADJUSTABLE
 -SYSTEM CAN BE USED WITH 4MM OR 6MM
 ALUMINUM COMPOSITE MATERIAL FOR
 EXTERIOR APPLICATION AND 3MM OR 4MM
 ALUMINUM COMPOSITE MATERIAL FOR
 INTERIOR APPLICATION



- ALUMINUM COMPOSITE PANEL
- "ESTOLGA" ATTACHMENT SYSTEM (EAM #5801)
- CHANNEL
- CAULKING WITH BACKER ROD
- RIVET/SCREW AS REQUIRED
- SHIM AS REQUIRED DONE BY OTHERS
- GALVANIZED STEEL SUBGIRTS DONE BY OTHERS

ASTM 283, 330 & 331

NAME:

SQUARE COLUMN COVER

ALLIED METAL

DRAWINGS: ESTOLGA 3000 Wet Seal System

NO.	DATE	REVISIONS	BY

DATE: 12/08/2008

DRAWN BY: XXXXX

SCALE: NTS

CHECKED BY: XXXXX

AM-3

NOTE:
 -JOINT WIDTH IS ADJUSTABLE
 -SYSTEM CAN BE USED WITH 4MM OR 6MM ALUMINUM COMPOSITE MATERIAL FOR EXTERIOR APPLICATION AND 3MM OR 4MM ALUMINUM COMPOSITE MATERIAL FOR INTERIOR APPLICATION